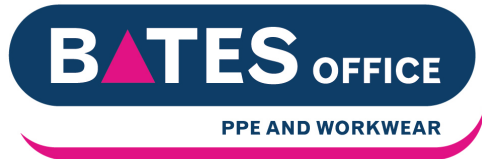




Type2R Personal Packs

We want to give our customers ultimate protection. This pack gives you and your families all the essential products needed to help protect and prevent you from contracting COVID 19.



What's in the Pack

5 x TypellR Face Masks

1 x Pack Antibacterial Wipes 15pcs

1 x 50ml 70% Alcohol Hand Gel

5 x Pairs Nitrile Disposable Gloves



Product Proposal Hand Sanitiser Gel



Hand Sanitiser Gel 100ml Flip Top Bottle

- 70% Alcohol
- Kills 99.9% Bacteria
- Small bottle for personal use
- Easily portable



Hand Sanitiser Gel 500ml Flip Top Bottle

- 70% Alcohol
- Kills 99.9% Bacteria
- Large bottle for workplace environments including offices, warehouses, canteens.



Hand Sanitiser Gel 5L Screw Cap Bottle

- 70% Alcohol
- Kills 99.9% Bacteria
- For refilling smaller containers and bottles
- For use in hand sanitiser stations and dispensers



Sanitiser Disinfectant Spray 500ml Aerosol Can

- No Alcohol
- Kills 99.9% Bacteria
- Suitable for cleaning hard and soft surfaces
- Cleans areas that other methods would not reach

Spray Surface Cleaner 500ml Aerosol – Kills 99.9% of Bacteria

ORVATO® Sanitiser Disinfectant Spray contains active biocides, specifically designed for the cleansing and disinfecting of hard and soft surfaces.

The ORVATO® spray is a revolutionary mist spray designed to sanitise and disinfect difficult to reach and intricate areas with full surface coverage.

The ingredients within this product deal rapidly and effectively with an extensive list of bacteria, viruses, fungi and moulds. The ingredients have been tested effectively against small non-enveloped viruses (Hardest-to-kill category). Viruses in this category can include Poliovirus, Norovirus and Feline Calicivirus. The ingredients have also been tested effectively against enveloped viruses (easiest-to-kill category). Viruses in this category can include Coronaviruses and Type A Influenza's.

**Perfect For : Desking, Delivered
Parcels, Handrails, IT hardware,
Phones, Seating, Transport and
vehicles, Factories, Workshops
and so much more....**



Nitrile Disposable Gloves

CE certified Heavy Duty Nitrile
Gloves

- Powder and Latex free gloves.
- Heavy duty, ultra flexible
- Ambidextrous



PPE Products

Type IIR Face EN Certified

- Type IIR Masks guarantee you ultimate protection as they conform to EN14683 CE Standards and have a fluid / splash resistant protective layer to provide a barrier against blood and bodily fluids.
- Type 2R Fast fitment design for fast application and ultimate comfort.
- Universal size to fit all face shapes and sizes.
- With elastic ear loops



PPE Products

FFP2 Moulded Cup Respirator EN Certified

- Fully certified to EN149:2001 +A1:2009
- With synthetic rubber head straps
- Hypercomfort technology soft foam adjustable nose piece
- FFP2 masks have a minimum of 94% filtration percentage and maximum 8% leakage to the inside. They are mainly used in construction, agriculture, and by healthcare professionals against influenza viruses. They are currently widely used for protection against the coronavirus



PPE Products

FFP3 Fold Flat Respirator EN Certified

FFP3 Rated Face Masks - Certified to
EN149:2001 + A1:2009

FFP3 masks are the most filtering
mask of the FFPs. With a minimum
filtration percentage of 99% and
maximum 2% leakage to the inside,
they protect against very fine
particles such as asbestos.



PPE Products

Reusable/Washable - Nano Silicon Mask

- Fabric mask, as recommended by WHO
- The only mask in the world with 99.9% antibacterial effectiveness even after 50 washes
- 100% Cotton, eco-friendly

SELF-CLEANING SURFACE

- Stay safe with the best mask for preventing contamination spreading
- Normal fabric masks carry bacteria/viruses that hit the surface which grow up to 800% in 24 hours, and then people touch with their hands.
- So it spreads to their clothes, phone, doors, any surface they touch
- The Nano-silicon kills these harmful pathogens on contact so they cannot spread

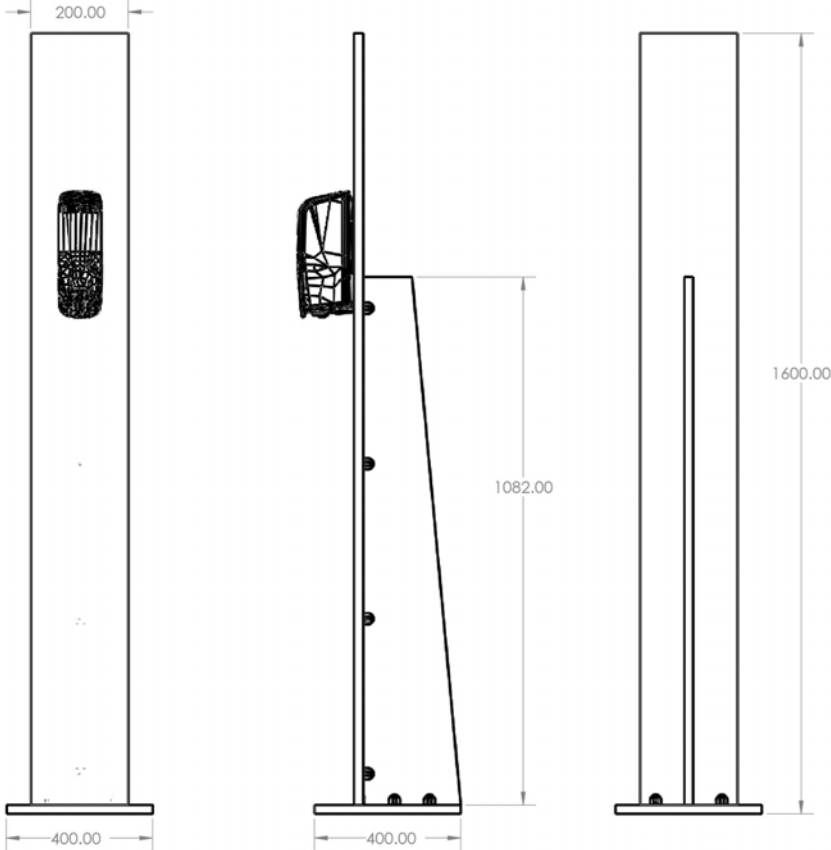
THE ONLY MASK THAT IS TRULY SAFE TO WASH & REUSE

- The only mask in the world with 99.9% antibacterial effectiveness even after 50 washes (proven by Intertek Lab testing)
- Other antimicrobial masks e.g. nano silver lose at least 50% antibacterial effectiveness after 4 or 5 washes



Sanitiser Stations - Option One

Freestanding Hands Free Infra-Red Dispenser Stand



Sanitiser Stations - Option Two

- No Contact with hands
- Foot Operated
- Replaceable Canisters with approved Sanitiser.
- 100% mechanical.
- No installation required.
- Durable and robust.
- Brushed Stainless Steel
- 1000mm Height
- Foot Diameter 300mm



Luxury Automatic Dispensers

- 700ml Capacity Infra-red Sanitiser dispenser.
- Brushed Stainless, and Black Chrome available.
- Contact free
- Battery Operated



Luxury Automatic Dispenser Stands

- Floor standing robust stand designed to fit the ORVATO luxury Automatic dispensers



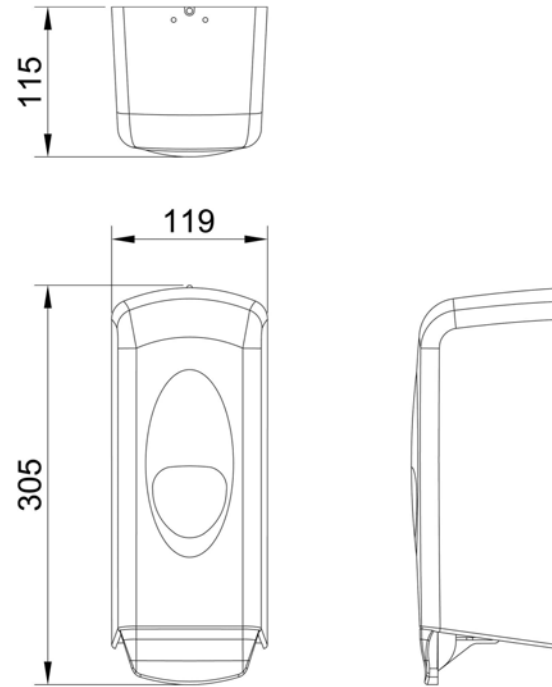
Sanitiser Dispenser Infra Red – Hands Free Unit

- Wall Mounted Battery Operated Unit.
- Ultra Hygienic Non Contact Dispensing of Sanitisation gel
- 850ml capacity
- Batteries not included (4xAA required)



Soap and Sanitiser Dispenser – Manual Operation

- Wall Mounted Manually Operated Unit
- Robust Build Quality
- 900ml capacity
- Batteries not included (4xAA required)



Hands Free Waste Bin

- 40 and 50L option available
- Contact free opening lid for hygienic disposal of refuse
- Brushed Chrome Finish
- New space-saving lid mechanism
- Removable top cover for easy cleaning
- Fits standard garbage bags
- Comes with Garbage Bag Retainer Ring
- Uses 3xD-sized batteries (not included)
- Low energy-consumption
- Battery Life: at least 20 times per day for 6months
- Manual open and close button on the lid.
- 85° Lid opening avoids spills and messy deposits
- One year warranty



NON-CONTACT FOREHEAD THERMOMETERS

Ideal for monitoring staff welfare in the working environment

**CE / FDA
Certified
Thermometer**



SPECIFICATIONS

Effective Distance	5cm - 8cm
Range	Body temp: 35.0°C - 42.9°C
Working Condition	16°C to 40°C, relative humidity ≤85%
Storage Condition	-20°C to 55°C, relative humidity ≤85%
Resolution	0.1°C
Repetitiveness	±0.2°C
Power Consumption	When off ≤10uW. When in use ≤30mW
Testing Time	<0.5secs
Power Supply	D.C. 3V (two AA batteries)
Weight	97g
Size	93 x 153 x 41mm (L x W x H)